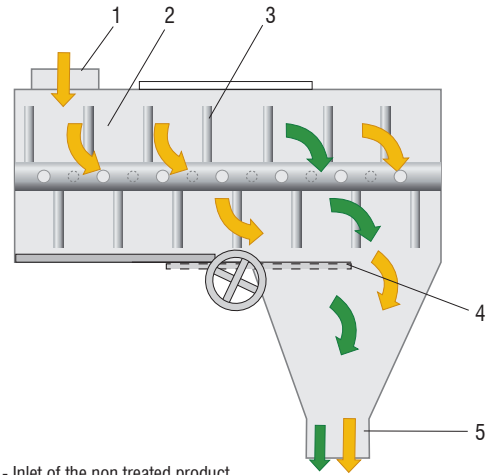


# De-Awner Type SE 10 / SE 20



- 1 - Inlet of the non treated product
- 2 - De-Awner house
- 3 - Shaft with beater bars
- 4 - Adjustable discharge slide
- 5 - Outlet of the treated product

The purpose of the **PETKUS De-Awner SE 10/SE 20** is the processing of brewing barley, cereals and forage seed.

The De-Awner is used for:

- De-awning barley
- De-husking wheat
- Clipping of oats
- Separating of seed clusters
- Polishing of seed

### Advantages:

- Robust and wear-resistant construction
- Adjustable processing intensity

### Description:

The product is transported into the machine through the inlet. The agitator shaft with the pin beaters removes awns, clippings, and beards from the product. The product flows out of the De-Awner through the adjustable bottom slide of the outlet.

The processing intensity can be adjusted by the speed (two stages) and the adjustable bottom slide.

### Construction:

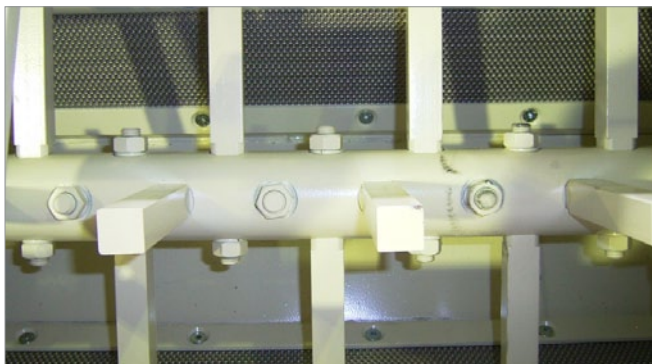
The De-Awner is equipped with a sheet steel housing with the agitator shaft and the pin beaters. The inlet is on the top of the machine. The outlet with the adjustable slide is under the machine. The machine is operated by a V-belt system with an electric motor, driving the agitator shaft.

### Standard Equipment:

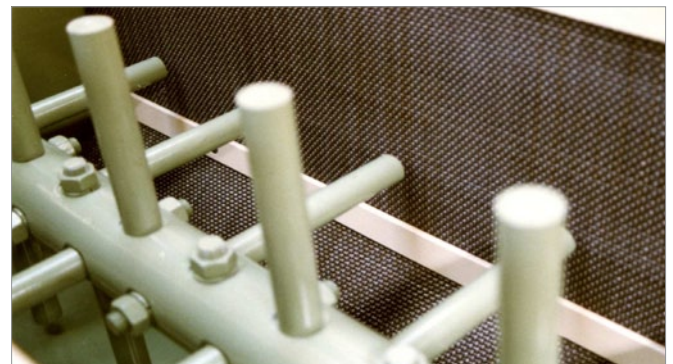
- Bolted frame made of sheet steel
- Agitator shaft with round pin beaters
- Drive unit with electric motor

### Options:

- Lining of the interior with indented cells
- Square shaped pin beaters



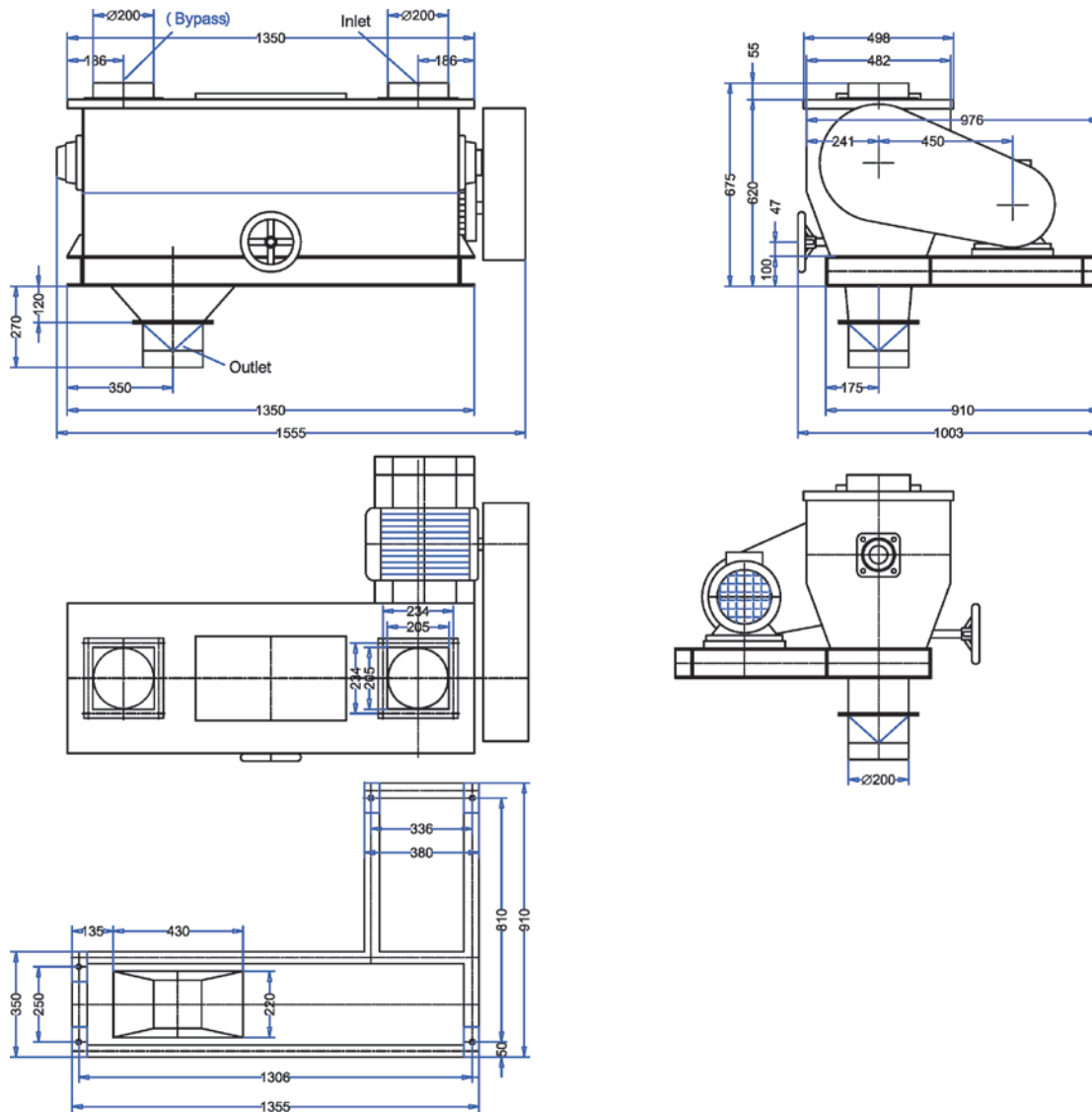
De-Awner trough with a cover of moulded indent and the shaft with rectangular beater bears.



De-Awner trough with mesh inside.

06/2015

# De-Awner Type SE 10 / SE 20



Technical Data		SE 10	SE 20
Seed	bu/hr	360	730
Barley for breweries	bu/hr	360-730	730-1100
Electrical power	hp	10.0	20.0
Speed of the shaft	rpm	760/960	760/960
Weight	lb	661.4	705.5
Dimension			
Length	in	62	62
Width with motor	in	40	40
Width	in	19.75	19.75
Height	in	37.5	37.5

Technical alteration reserved.