

- |  |  |
|--|--|
| 1 - Machine inlet                      | 7 - Screen layer 4 - lower screen shoe                   |
| 2 - Pre-sifting system                 | 8 - Screen layer 5 - lower screen shoe                   |
| 3 - Screen cleaning system             | 9 - Screen layer 6 - lower screen shoe                   |
| 4 - Screen layer 1 - upper screen shoe | 10 - Expansion chamber for pre- and main sifting channel |
| 5 - Screen layer 2 - upper screen shoe |  |
| 6 - Screen layer 3 - lower screen shoe | 11 - Main sifting channel                                |

The purpose of the **PETKUS M-Cleaner** is the high-quality cleaning of grain, pulses, oilseeds and other free flowing products. The cleaner can be used for pre-, intensive and seed cleaning. The high standard of cleaning is achieved by a combination of the screening process and the air aspiration system.

#### Advantages:

- Very high flexibility due to variable screening diagrams and extensive setting options using product diverters and guiding plates
- High standard of cleaning and quality
- Simple and quick changing for various applications due to the modular design
- Highly effective cleaning of the screen surface by a ball cleaning system, thus achieving a reduction of the overall length
- Also suitable for not free flowing products

#### Description:

The product to be cleaned is evenly distributed and fed into the cleaner by an inlet hopper. The product is moved from the inlet hopper through the pre-aspiration. Light rejects, husk and dust are separated here. After that, the product is transported into the top screen compartment with the two screen layers. The first screen layer is used for separating the coarse rejects. The second screen layer can either be used for separating coarse or light rejects depending on the desired mode of cleaning. The four screen layers in the bottom screen compartment can be used for separating coarse and light rejects or for calibrating the product by using the product diverters and exchange compartments. The screened product is moved through the final aspiration. The product is sorted by its bulk density, light rejects such as hollow grains, foreign particles and dust are separated here. All screens are cleaned with balls which are placed under the screens. The first screen layer in the top screen compartment can be optionally equipped with a scraper chain to separate coarse rejects.

#### Construction:

The M-Cleaner is equipped with an inlet hopper, one pre-aspiration and one final aspiration with depositing chamber as well as two screen compartments with two or four screen layers vibrating against each other. The various components of the machine (inlet hopper, discharge auger, scraper chain etc.) are operated by drive motors.

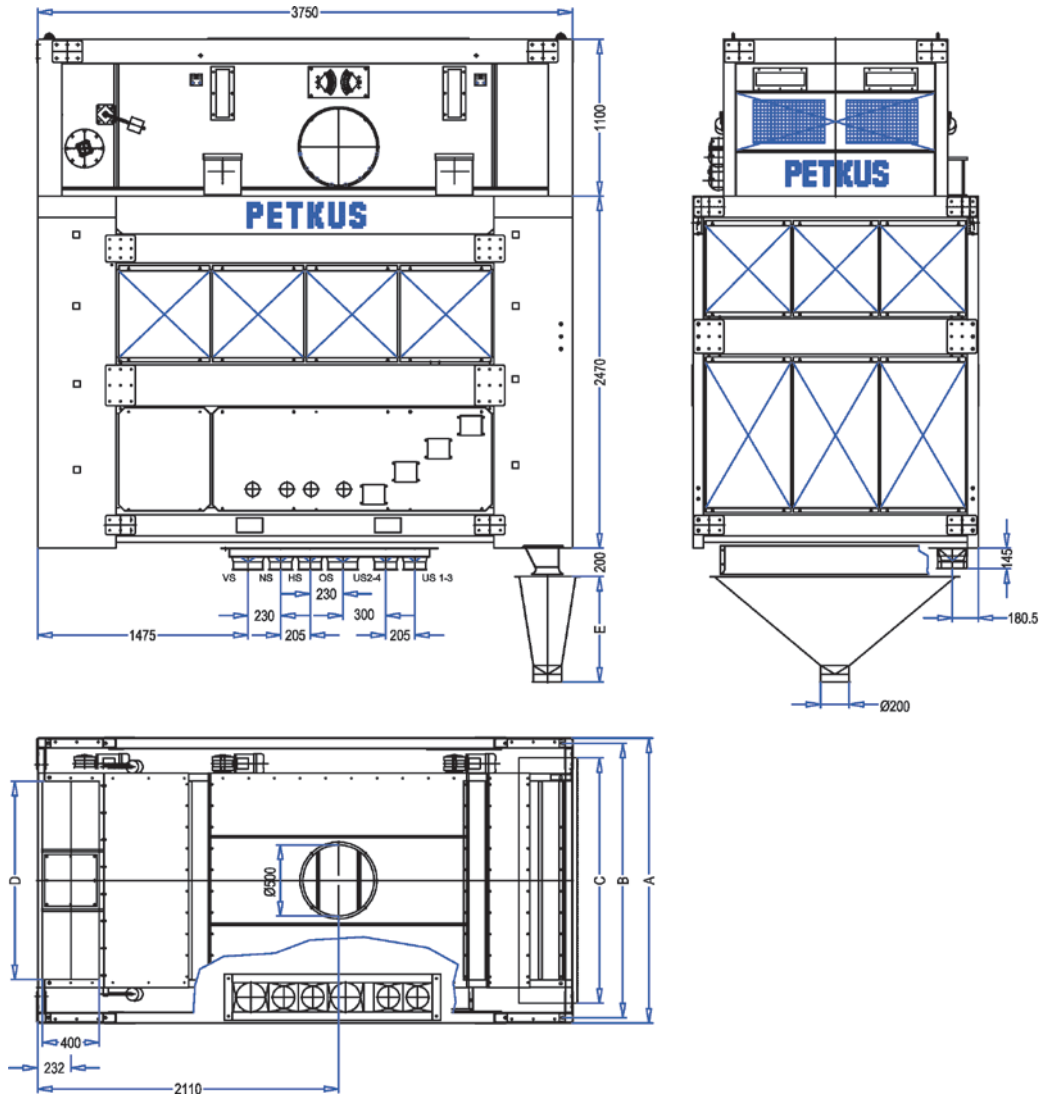
#### Standard Equipment:

- Bolted frame made of paint-coated sheet steel
- Screen compartments, pre-aspiration and final aspiration made of galvanized steel sheet
- Set of screens for screening diagram
- Drive units with gear motors

#### Options:

- Conversion kits (screens and accessories) for various screening diagrams
- Scraper chain for not free flowing products and coarse impurities
- Vibrating infeed
- Discharge left or right

# Multi Cleaner Type M 12 / M 15



Technical Data		M 12	M 15
Capacity (wheat)			
Seed cleaning	t/h	20	25
Industrial cleaning	t/h	50	60
Drives			
Fan	kW	11.0 - 15.0	15.0 - 18.0
Screen shoe	kW	5.5	5.5
Machine inlet drum	kW	0.37	0.37
Discharge screws	kW	2 x 0.37	2 x 0.37
Cleaning device upper screen	kW	0.37	0.37
Air volume (wheat)	m <sup>3</sup> /h	9000	12000
Working width	mm	1200	1500
Screen surface	m <sup>2</sup>	15.2	18.9
Weight	kg	3200	3850

Technical Data		M 12	M 15
No. of screen layers			
Upper screen shoe	pcs.	2	2
Lower screen shoe	pcs.	2 + 2	2 + 2
No. of screen segments			
Upper screen shoe	pcs.	2 x 12	2 x 15
Lower screen shoe	pcs.	4 x 12	4 x 15
Total No's.	pcs.	72	90
Dimension:			
A	mm	1700	2000
B	mm	1625	1925
C	mm	1530	1720
D	mm	1090	1390
E	mm	740	890
Speed	rpm	320	320
Load, horizontal (FH)	kN	± 1.7	± 2.2
Load, vertical (FV)	kN	8.5 ± 2.8	10.1 ± 3.5

Technical alteration reserved.