



The purpose of the **PETKUS De-Awner SE 05** is the processing of brewing barley, cereals and forage seed. The de-Awner is used specifically for:

- De-awning barley
- De-husking wheat
- Clipping oats
- Separating seed clusters
- Polishing seed

Advantages:

- Robust and wear-resistant construction
- Adjustable processing intensity

Description:

The product is transported into the machine through the inlet. The agitator shaft with the pin beaters removes awns, clippings, and beards from the product. The product flows out of the De-Awner through the adjustable bottom slide of the outlet.

The processing intensity can be adjusted by the speed (two stages) and the adjustable bottom slide.

Construction:

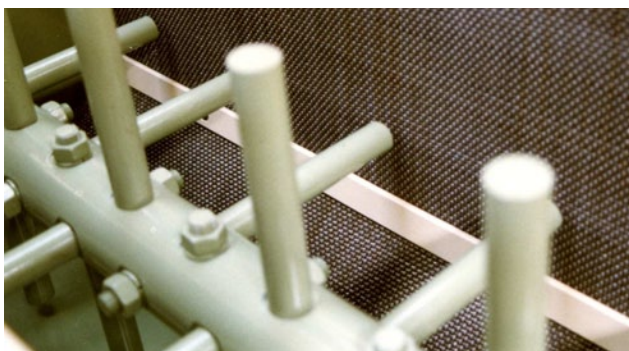
The De-Awner is equipped with a sheet steel housing with the agitator shaft and the pin beaters. The inlet is on the top of the machine. The outlet with the adjustable slide is under the machine. The machine is operated by a V-belt system with an electric motor driving the agitator shaft.

Standard Equipment:

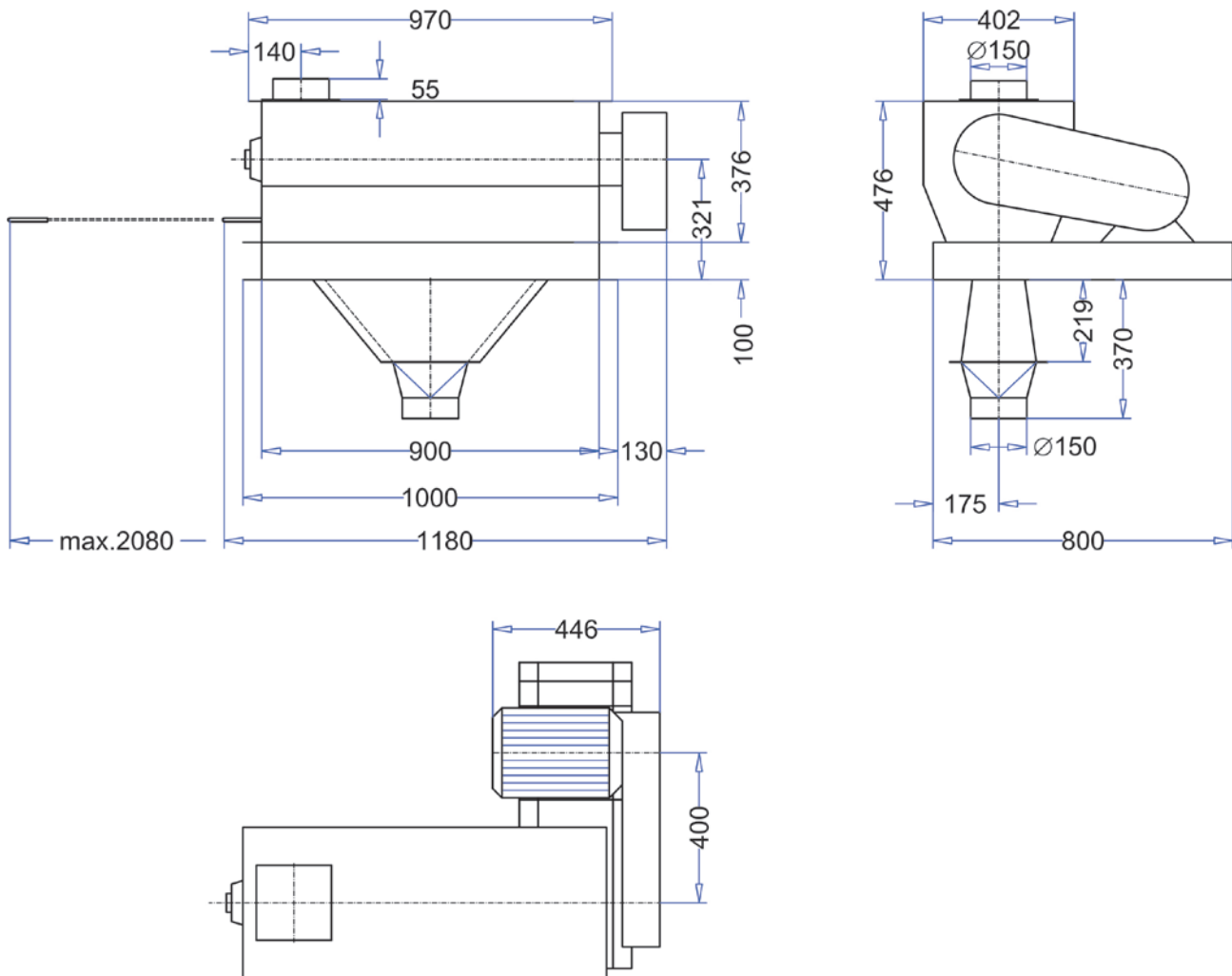
- Bolted frame made of sheet steel
- Agitator shaft with round pin beaters
- Drive unit with electric motor

Options:

- Lining of the interior with indented cells



De-Awner with exchangeable wear plates



Technical Data		SE 05
Seed	t/h	5
Barley for breweries	t/h	5 - 10
Electrical power	kW	5.5
Speed of the shaft	rpm	750/1 000
Weight	kg	220
Dimension		
Length	mm	1 180
Width with motor	mm	850
Width	mm	395
Height	mm	495

Technical alteration reserved.