

Chemical Seed Treater Type CT 10



The **PETKUS Chemical Seed Treater CT 10** is used for continuous, wet chemical treating of seed such as grain, corn, pulses etc.

Advantages:

- Continuous, reliable operation
- Simple operation and handling
- Precise dosing of the liquid seed dressing and prevention of incorrect treatment due to the integrated automatic checking devices
- Homogenous treatment due to fine spraying of the seed dressing by the spraying disc and effective mixing in the secondary mixing unit

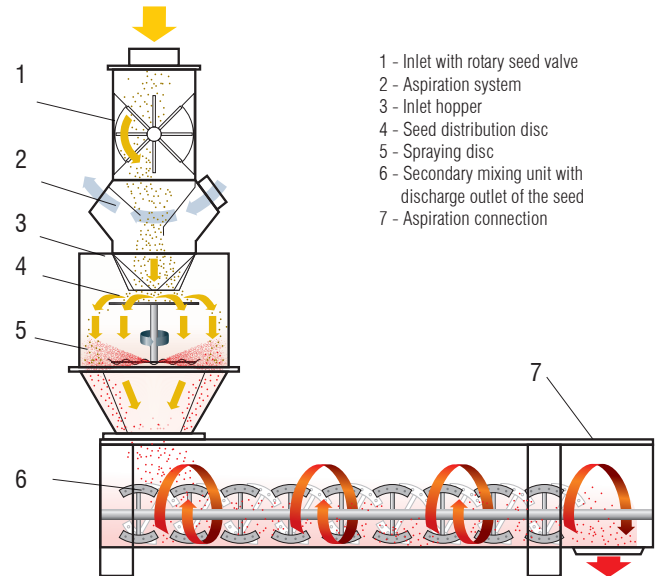
Description:

The seed is transported to the Chemical Seed Treating chamber over the inlet. There, the product is distributed in an even product veil by a rotating distribution disc.

The seed dressing is dosed by a metering pump on a spraying disc and evenly sprayed on the seed, creating a fine mist, and then brought in contact with the product veil. After applying the seed dressing, the product is transported to the secondary mixing unit where an even and uniform distribution on the seeds is ensured.



Secondary mixing unit



Construction:

The Chemical Seed Treater consists of the product inlet, the Chemical Seed Treating chamber with the distribution and spraying disc, the dosing unit with a pump and the secondary mixing unit. The drive is operated with a gear motor.

The Chemical Seed Treater is controlled by a control cabinet with a touch panel and is lined with wear plates.

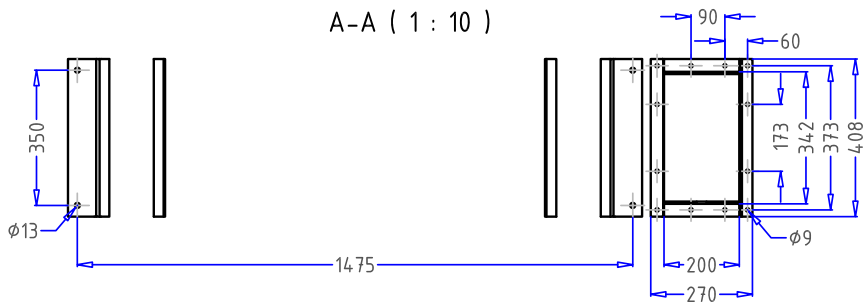
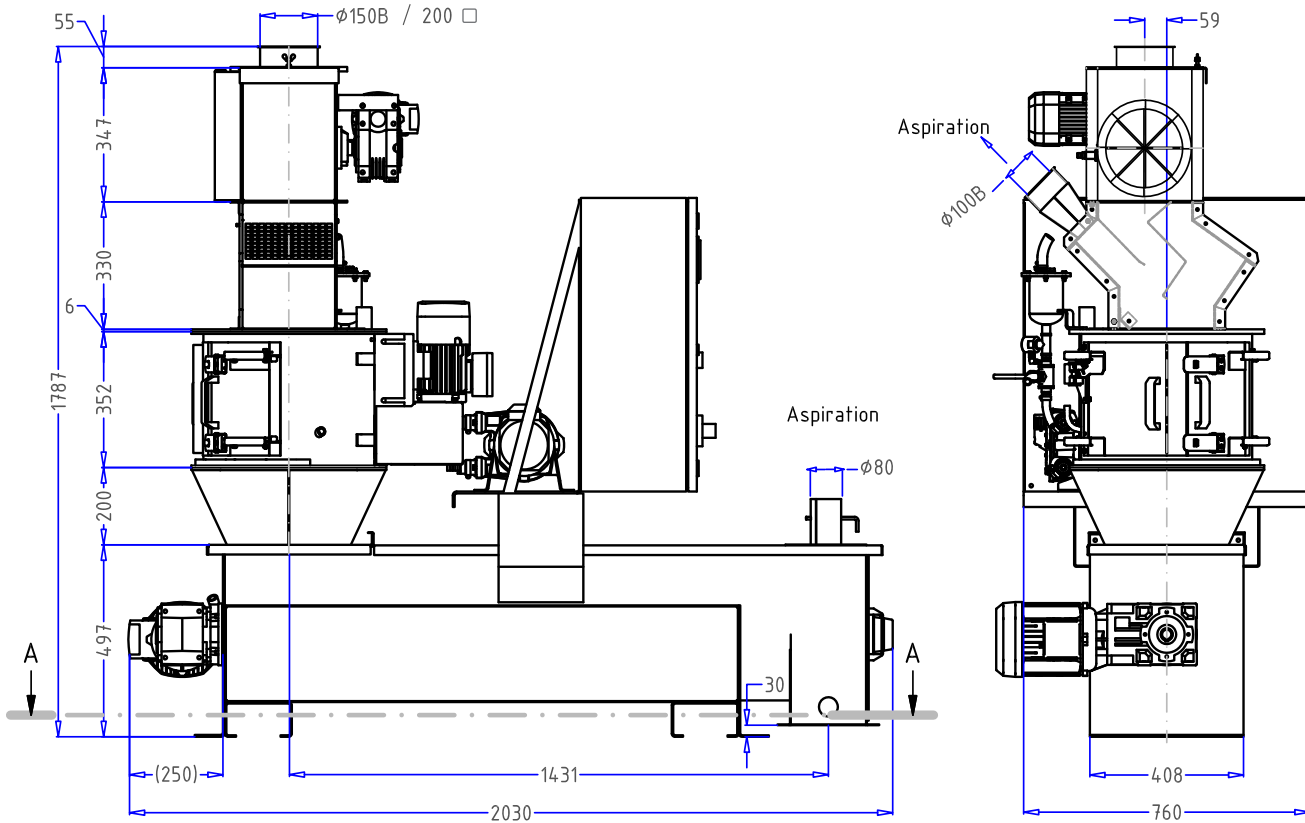
Standard Equipment:

- Bolted housing made of sheet steel
- Chemical Seed Treating chamber with inlet
- Dosing unit with a pump
- Control cabinet with touch panel and control software
- Secondary mixing unit with a connection for the aspiration
- Drive motors
- Sensors for monitoring and control
- Rotary valve

Options:

- Additional pumps
- Separate control cabinet
- Quick-remove mixing shaft
- Aspiration system
- Double spraying disc

Chemical Seed Treater Type CT 10



Technical Data		CT10
Capacity (Based on Wheat)	lb/h	4 400 - 22 000
Electrical drives		
Distribution disc	hp	1.0
Secondary mixing unit	hp	2
Rotary seed valve	hp	0.5
Dosing of chemical liquid	fl. oz/100lb	2 - 15

Technical alteration reserved.